

ISSUE 1
B-608253

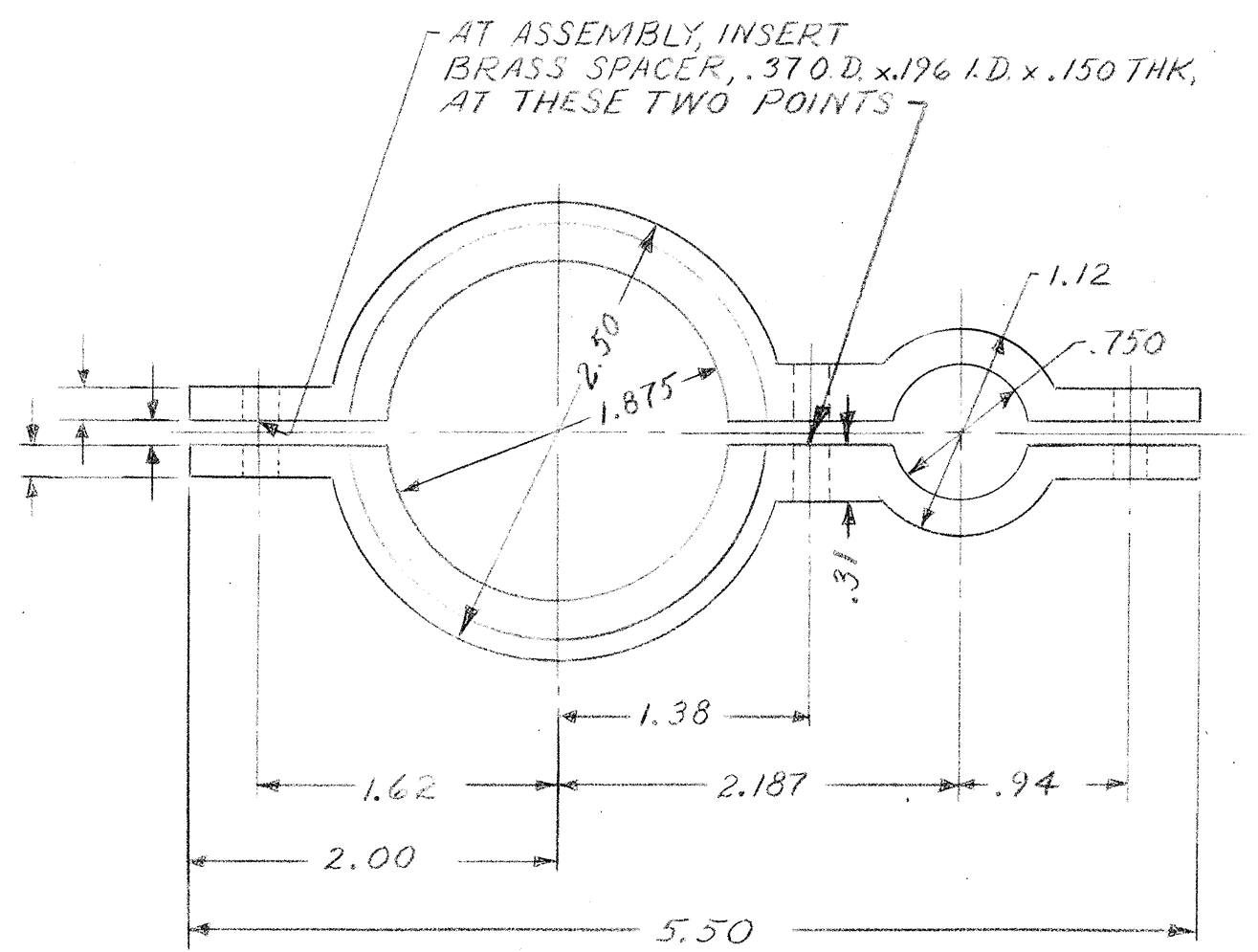
P-

ENGR
A.C. BECK
DRAWN
S.J. BENNETT
11-15-63 ISSUE 1

15 5/8

P-

10 1/4



.196
3 HOLES



MATERIAL		FINISH	
BRASS			
UNLESS OTHERWISE SPECIFIED, ALL DIMENSIONS ARE IN INCHES. NONLIMITED DIMENSIONS OTHER THAN SIZE OF RAW MATERIAL SHALL BE HELD AS FOLLOWS WHEN EXPRESSED:			
TO 2 DECIMAL PLACES ± .01		AS ANGLES ±	
TO 3 DECIMAL PLACES ± .003			
FOR GENERAL INFORMATION ON SYMBOLS AND NOTES REFER TO MANUFACTURING STANDARD 16.003, PART 2, SECTION 227.			
DWG SIZE 2S		C D S P-	

USED ON	DWG
CLAMP	
SCALE 1-1	
WESTERN ELECTRIC CO. INC. ENGINEER OF MANUFACTURE CENTRAL OFFICE EQUIPMENT	
BELL TELEPHONE LABORATORIES INCORPORATED	
B-608253	