

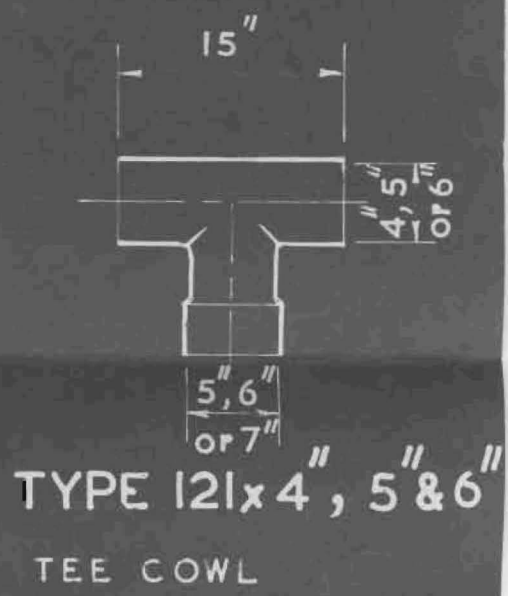
ALSO: LONG FLUE SHOEBENDS
 TYPE II 8L & 128L x 120°
 WITH OR WITHOUT I.O.

FLUE OUTLETS FOR USE
 WITH SLOW COMBUSTION
 HEATERS & COOKERS ETC.



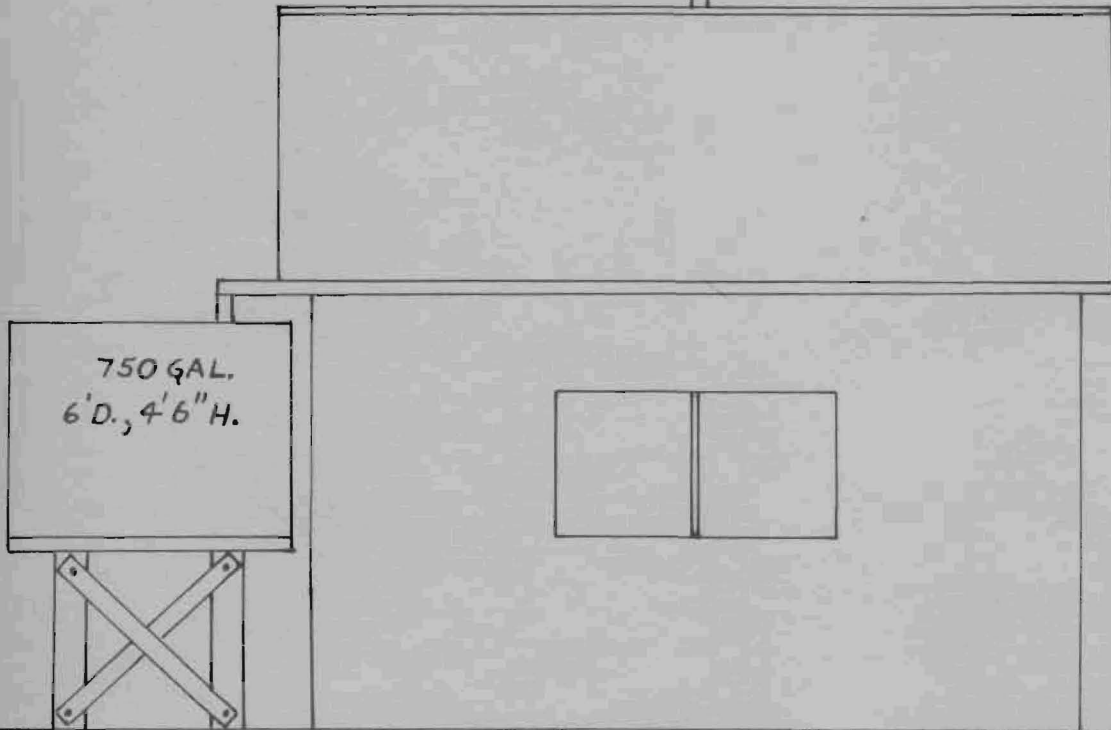
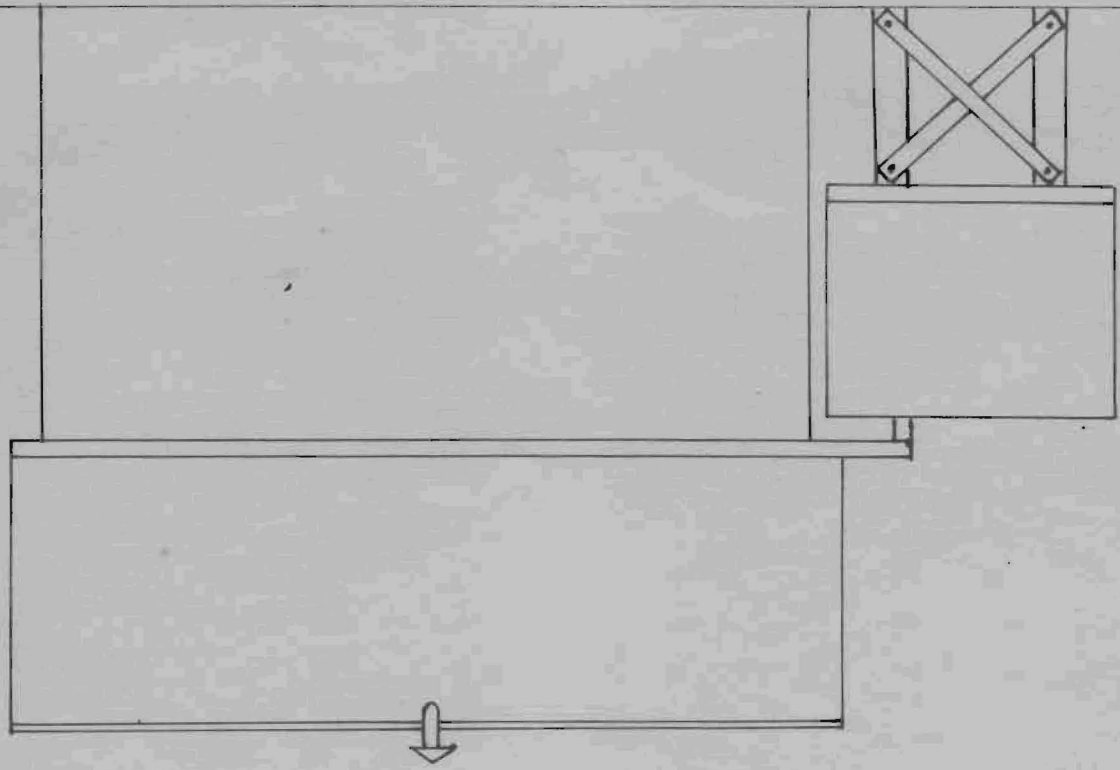
ADDN.

TYPE No:	A DIA.	B	C DIA.	T THICK.	α °
152 F	6"	6'-0"	7"	3/8"	
154 T	6"		7"	3/8"	90
III	4 7/8"	6 3/4"		3/8"	
II 2 & F	4"	6'-0"	4 3/4"	1/4"	
II 4	4"		4"	3/8"	90
II 4 W	4 3/16"		4"	3/8"	90
II 4 T	4"		5"	3/8"	90
II 6 S & L	4"	3'-0" & 6'-0"	5"	3/8"	120
II 8 L	4"	6'-0"	5"	3/8"	120
III	5 7/8"	6 3/4"		3/8"	
122	5"	6'-0"	6"	3/8"	
124	5"		6"	3/8"	90
124 T	4 7/8" or 5"		6"	3/8"	90
126 S & L	5"	3'-0" & 6'-0"	6"	3/8"	120



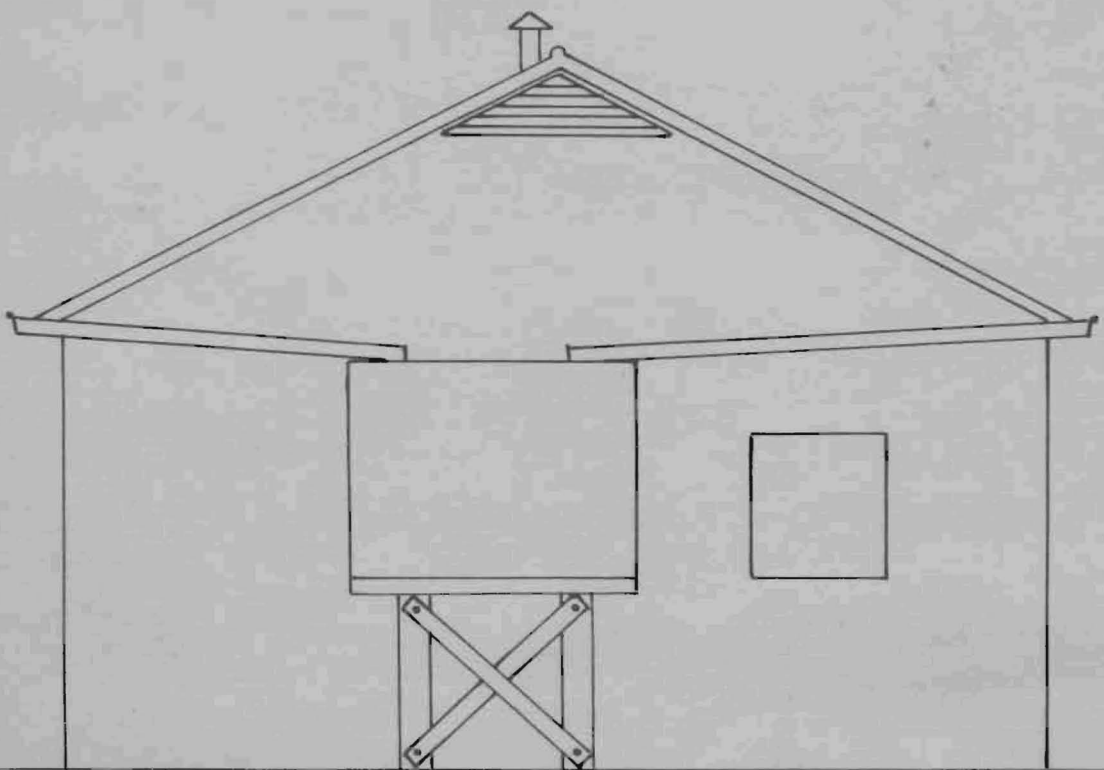
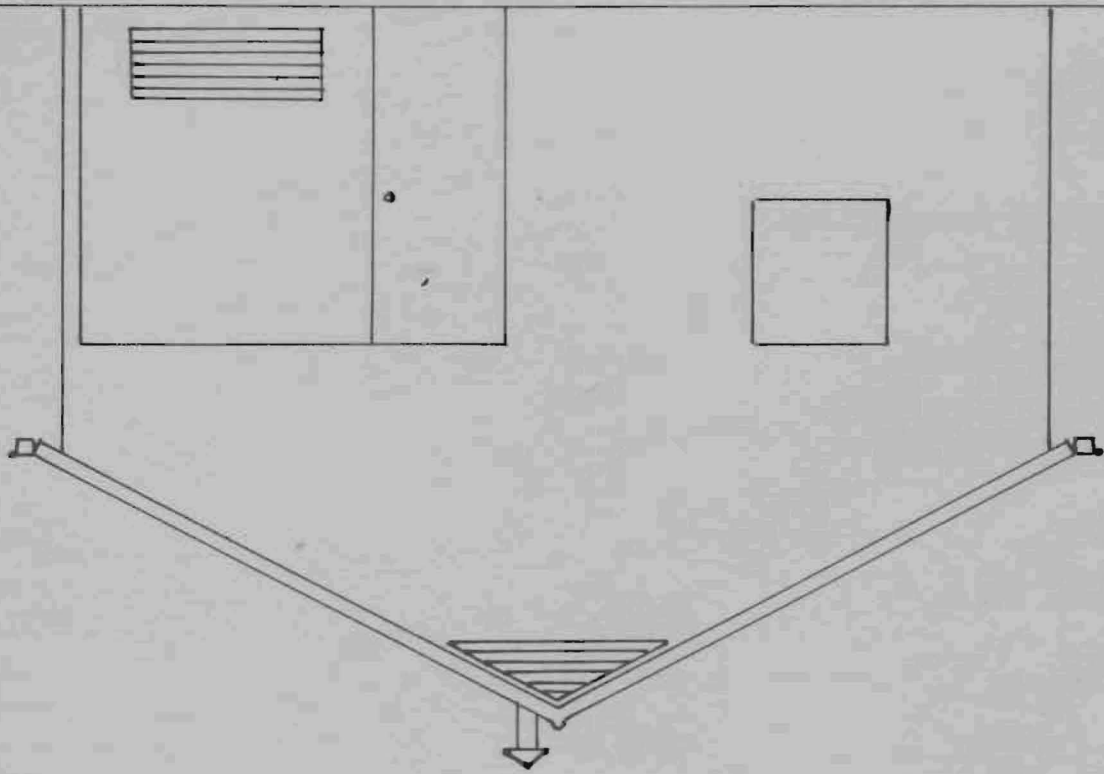
TYPE 235: CHINAMAN'S CAP TYPE COWL
 TO SUIT FLUES 4" 5" ETC

NORTH



SOUTH

EAST



WEST

