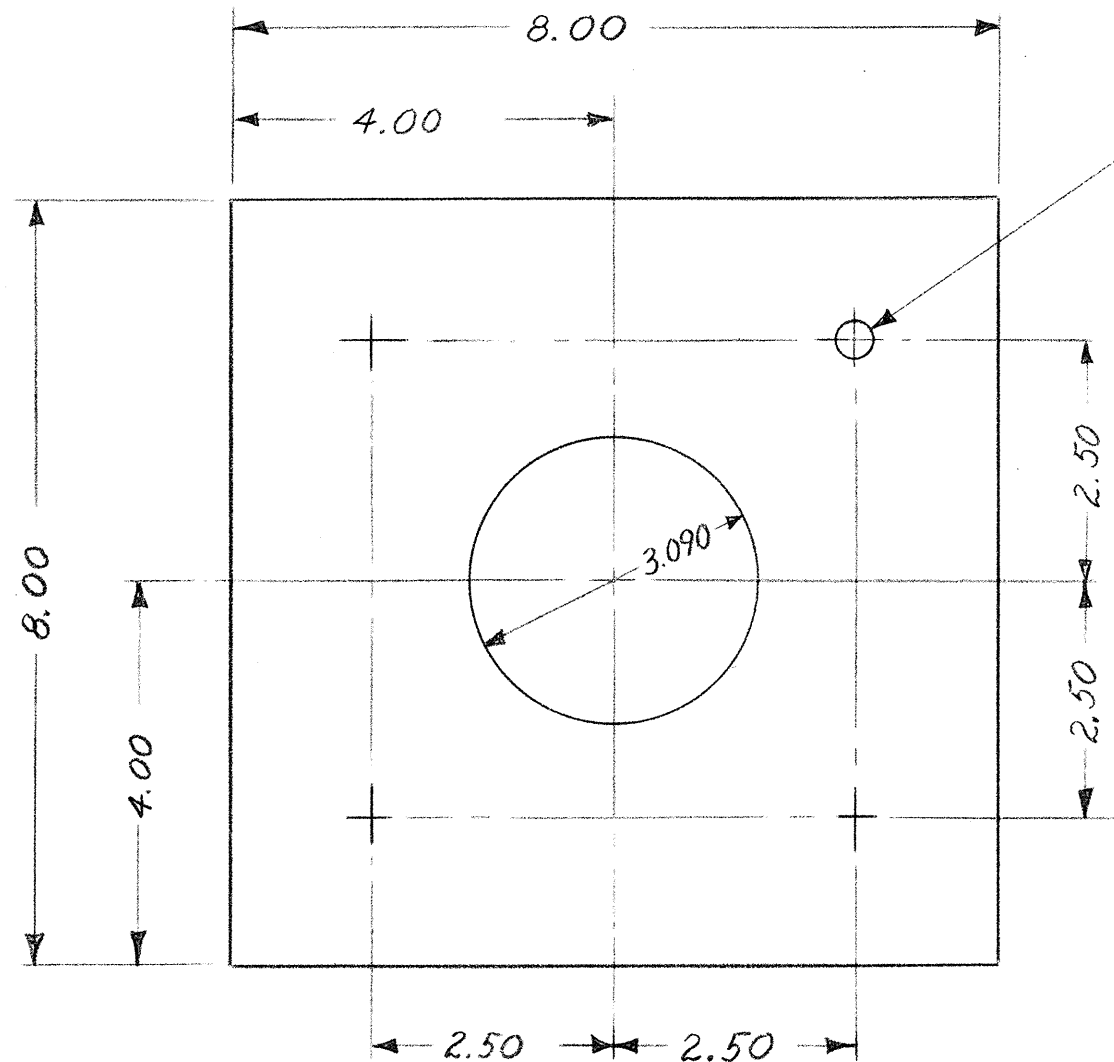


ISSUE 1 B-608251

P-

ENGR A.C. BECK
DRAWN S.J. BENNETT

10-23-63 ISSUE 1



P-

10 1/4

15 5/8

USED ON DWG

PLATE

SCALE 1/2

WESTERN ELECTRIC CO. INC.
ENGINEER OF MANUFACTURE
CENTRAL OFFICE EQUIPMENT

BELL TELEPHONE
LABORATORIES
INCORPORATED

CDS B-608251
SP-

MATERIAL .50 HARD BRASS

FINISH

UNLESS OTHERWISE SPECIFIED, ALL DIMENSIONS ARE IN INCHES. NONLIMITED DIMENSIONS OTHER THAN SIZE OF RAW MATERIAL SHALL BE HELD AS FOLLOWS WHEN EXPRESSED:

TO 2 DECIMAL PLACES ± .01 AS ANGLES ±

TO 3 DECIMAL PLACES ± .003

FOR GENERAL INFORMATION ON SYMBOLS AND NOTES REFER TO MANUFACTURING STANDARD 16.003, PART 2, SECTION 227.

DWG SIZE 2S