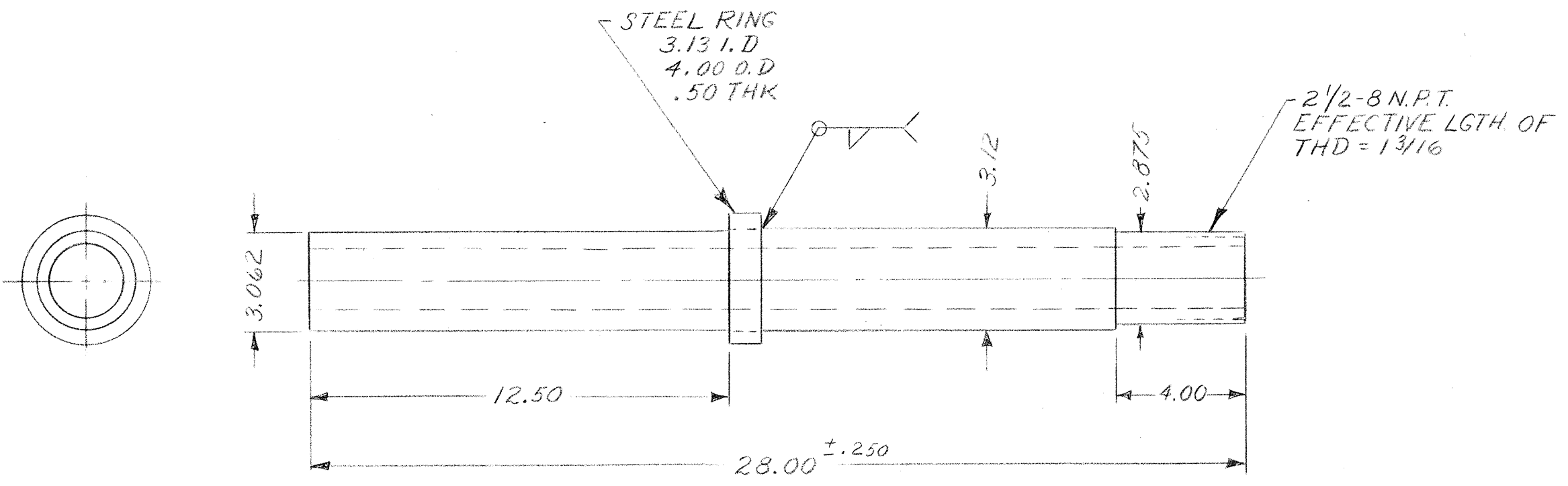


ISSUE 1  
B-608241

P-  
ENGR A.C. BECK  
DRAWN S.V. BENNETT  
9-10-63 ISSUE 1




USED ON DWG

CENTER POST,  
JANSKY ANTENNA

SCALE 1/4

WESTERN ELECTRIC CO. INC.  
ENGINEER OF MANUFACTURE  
CENTRAL OFFICE EQUIPMENT

BELL TELEPHONE  
LABORATORIES  
INCORPORATED

MATERIAL	FINISH
SHELBY STEEL TUBING 3 1/8 O.D. x 7/16 WALL	

UNLESS OTHERWISE SPECIFIED, ALL DIMENSIONS ARE IN INCHES. NONLIMITED DIMENSIONS OTHER THAN SIZE OF RAW MATERIAL SHALL BE HELD AS FOLLOWS WHEN EXPRESSED:

TO 2 DECIMAL PLACES ± .02 AS ANGLES ±  
TO 3 DECIMAL PLACES ± .005

FOR GENERAL INFORMATION ON SYMBOLS AND NOTES REFER TO MANUFACTURING STANDARD 16.003, PART 2, SECTION 227.

DWG SIZE  
2S

CDS  
P- B-608241

P-

10 1/4

HERCULENE® 56999  
DRAFTING FILM