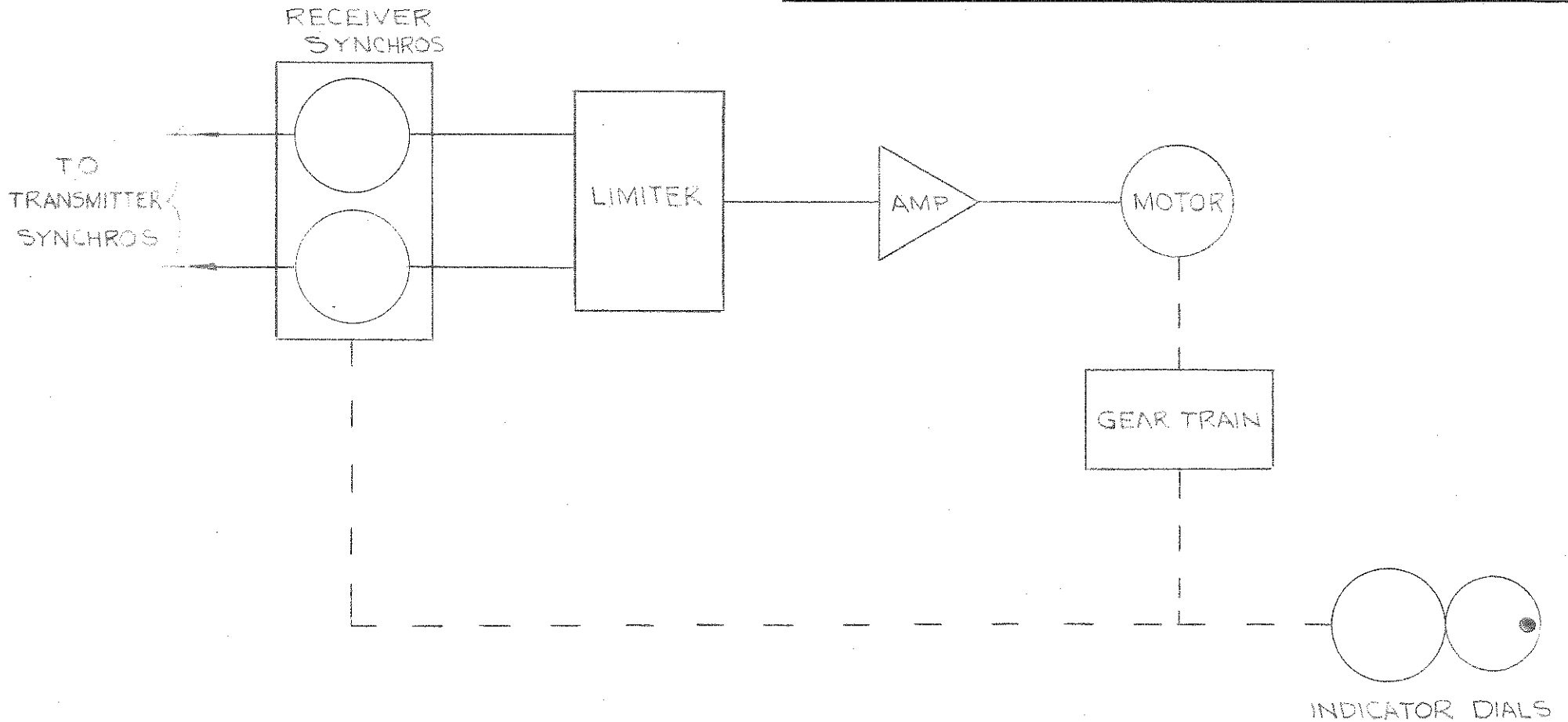


REVISIONS

SYM	ECN	DESCRIPTION	BY	DATE	APPD.
-----	-----	-------------	----	------	-------



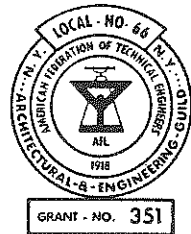
UNLESS OTHERWISE SPECIFIED DIMENSIONS ARE IN INCHES

FRACTIONS	TOLERANCES DECIMALS	ANGLES
-----------	------------------------	--------

MATERIAL

TREATMENT

FINISH



POSITION INDICATOR LOOP
(DECLINATION AXIS)

GENERAL BRONZE CORPORATION
GARDEN CITY NEW YORK

DWG. NO. FIGURE S-2
REV.

SCALE JOB NO. ITEM NO. SIZE

SHEET