

26/7/61

Poles + Posts + Anchors

| | | |
|---------------|----------|---|
| Antenna poles | 128 | |
| Spars | <u>2</u> | |
| Total | 130 | 76 ft long, 22" cir. at tip, ^{min} 60" cir. at butt, 47" cir. at 9' ^{max} from butt, min. |

N/S Posts (Bottom crossarm 9 ft above center of road)

| | | |
|----------------|----------|-----------------------------------|
| Join E/W lines | 16 | |
| Spars | <u>2</u> | |
| Total | 18 | 16 ft long, 23" cir. at tip min. |
| Remainder | 50 | |
| Spars | <u>2</u> | |
| Total | 52 | 14½ ft long, 25" cir. at tip min. |

E/W Posts (Crossarm 10 ft above ground)

| | | |
|---------------|----------|-----------------------------------|
| Between poles | 88 | |
| Spars | <u>2</u> | |
| Total | 90 | 13½ ft long, 19" cir. at tip min. |

Anchor Logs

| | | |
|-------------|----------|-----------------------------------|
| 140 anchors | 140 | |
| Spars | <u>5</u> | |
| Total | 145 | 2 ft long, 32" circumference min. |

Poles set 9 ft deep. Posts set 3 ft deep, ½ ft above crossarm, ½ ft crown of road.

26/7/61

Stay Wire

| | |
|-------------------|--------------|
| Ends of Antennas | 3317 ft |
| Ends of E/W lines | 1118 " |
| Ends of N/S lines | <u>375 "</u> |
| Total | 4810 ft |

| | |
|----------------------|------------------|
| 6 coils @ 918 feet = | <u>5508 feet</u> |
| Excess | = 698 |

MHB/NMD

28th September, 1961.

R.R. Rex & Son Ltd.,
35 Morrison Street,
HOBART.

Attention: Mr. Rex

Ref: Our letter 2nd August, 1961.

Dear Sirs,

On 3rd August, 1961 we were advised by you per telephone that you were making inquiries for wire in 26/33 ton steel. Nothing further has been heard of the matter.

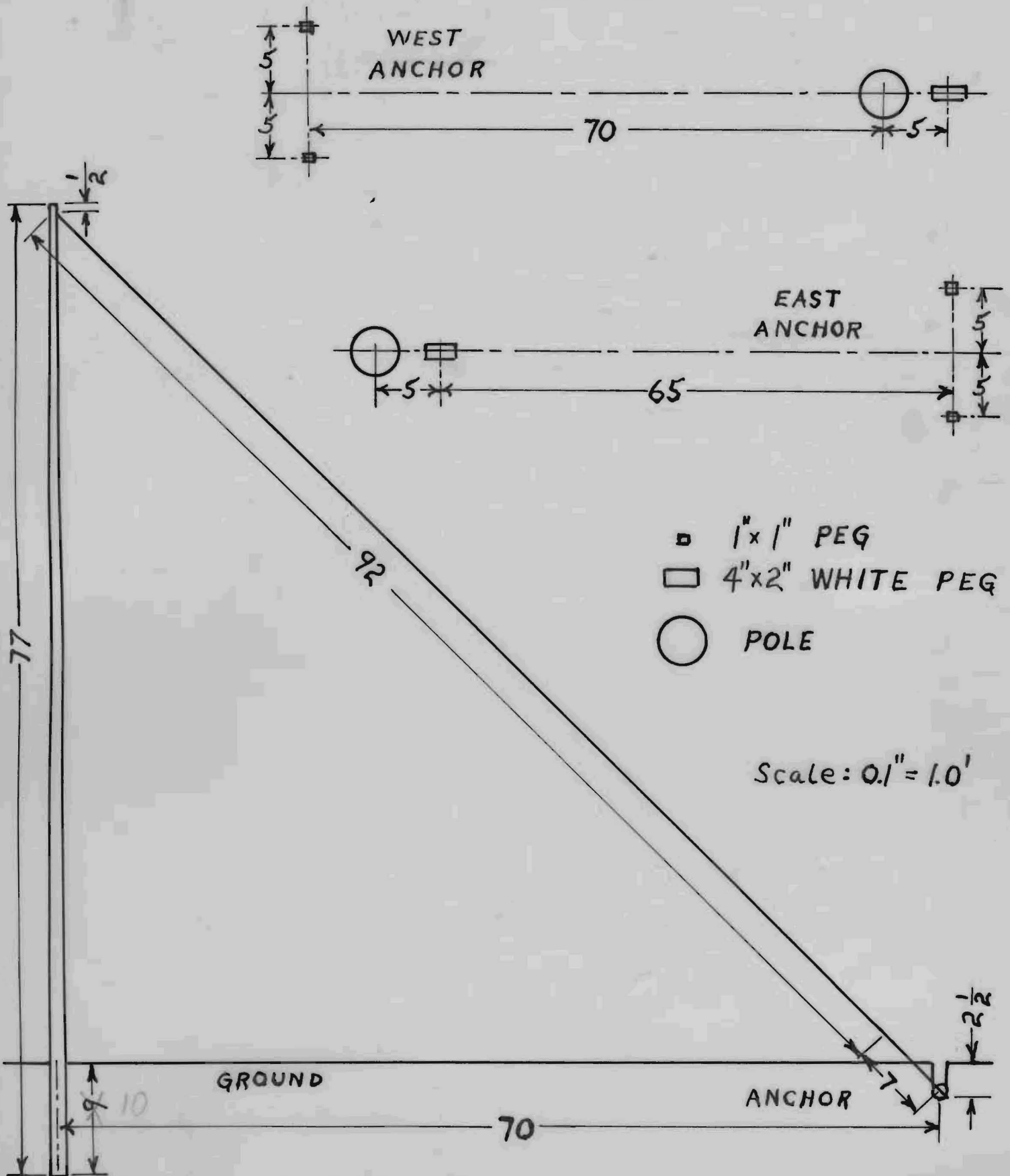
A few days ago Dr. Reber called at your establishment and learned that you have on hand a good supply of galvanized stay wire, 7 strands 14 gauge in one cwt. coils. Each coil has about 900 feet of wire and is priced at 140/- per cwt.. Consideration of the matter indicates that five coils will be satisfactory for present requirements.

Please have five coils, together with 10 dozen 1 $\frac{1}{2}$ " x $\frac{3}{8}$ " No. 6 galvanized thimbles @ 7/- per doz. ready to be picked up by the Transport Commission, 19 Collins Street, for delivery to "Dennistown", Bothwell. The invoice is to be directed to this office for the account of Dr. G. Reber.

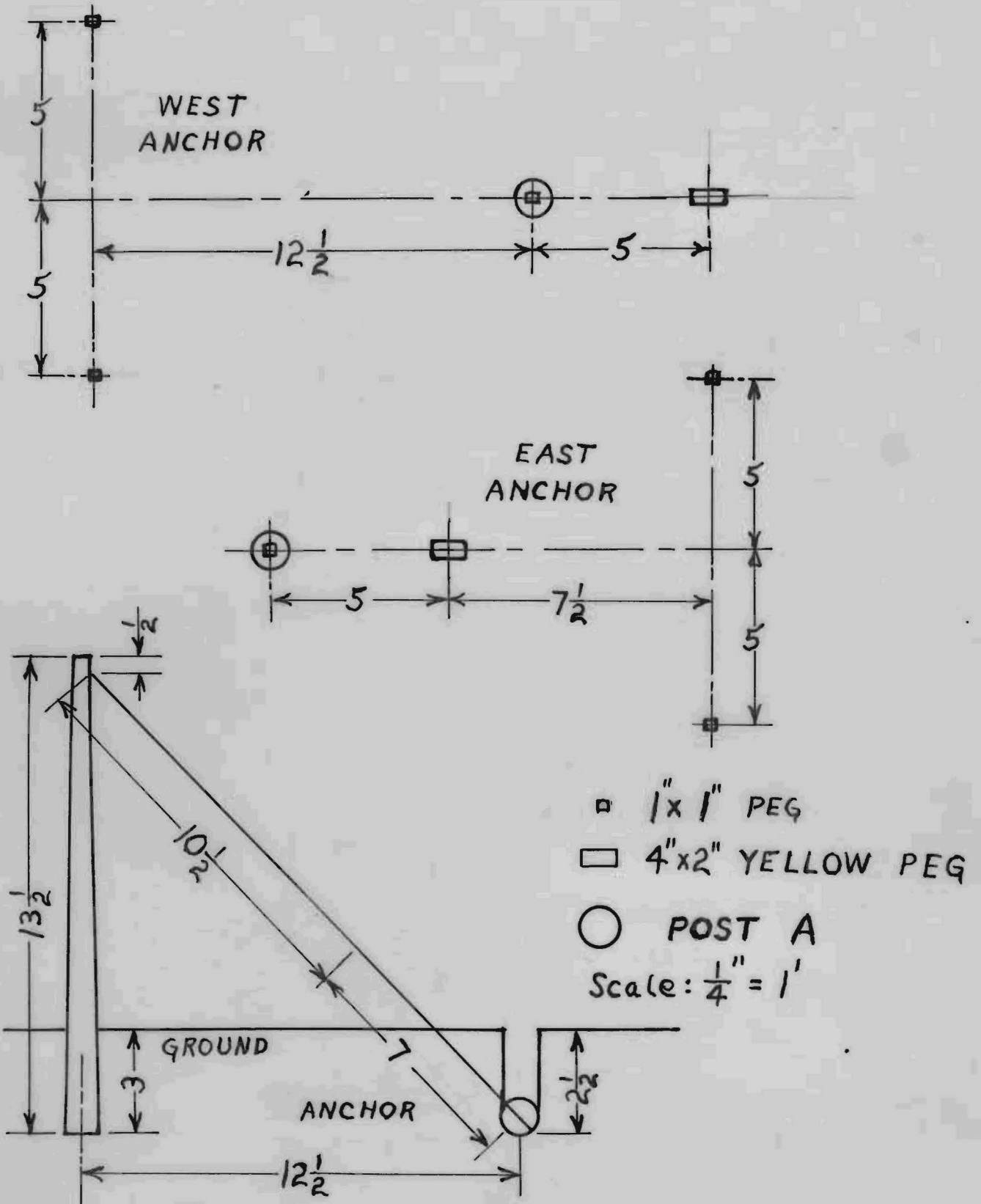
*Material arrived at Dennistown
on 5th Oct 61. Paid bill on 6th.*

M.H. Bennett
Clerical Officer.

POLE



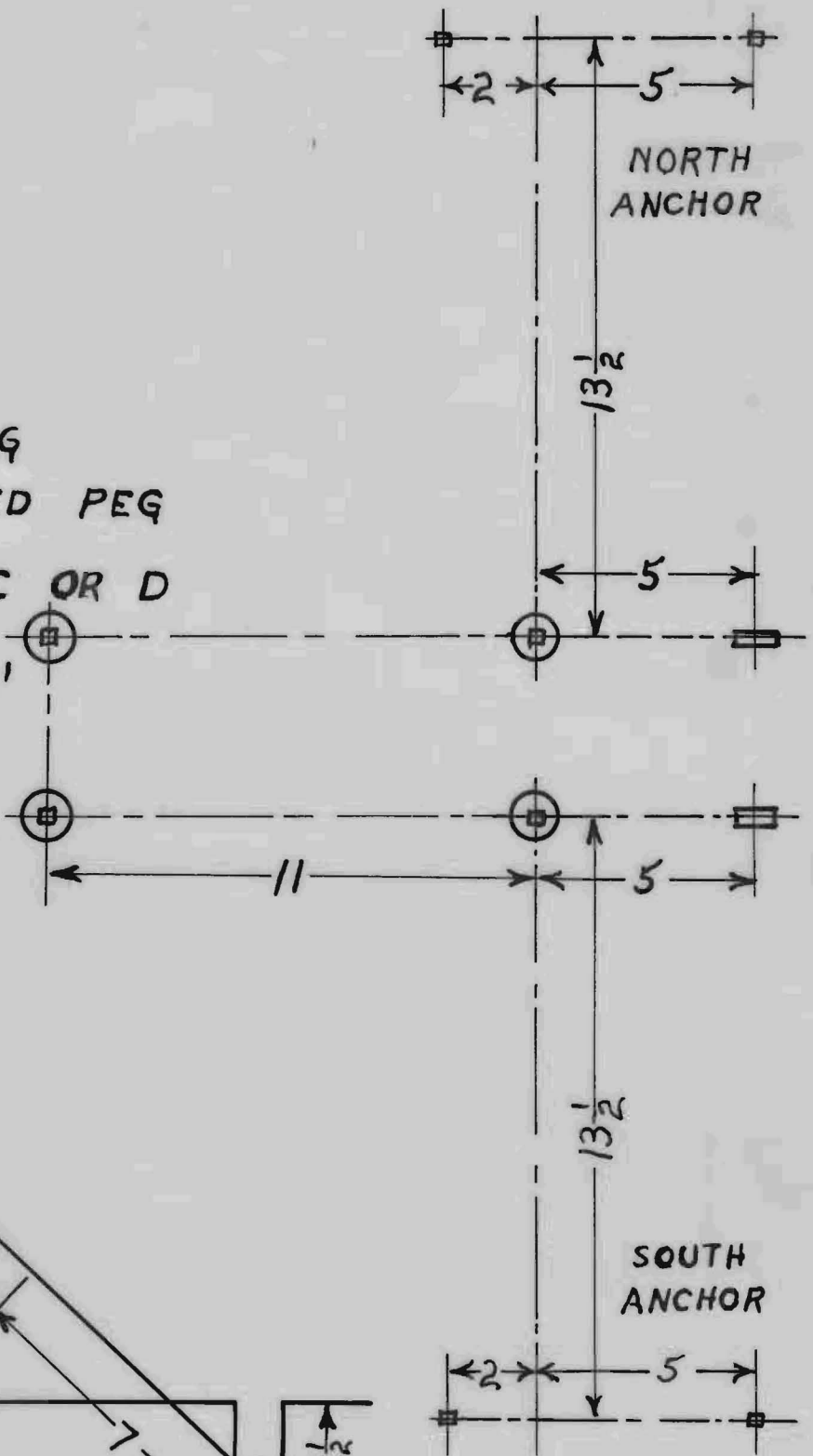
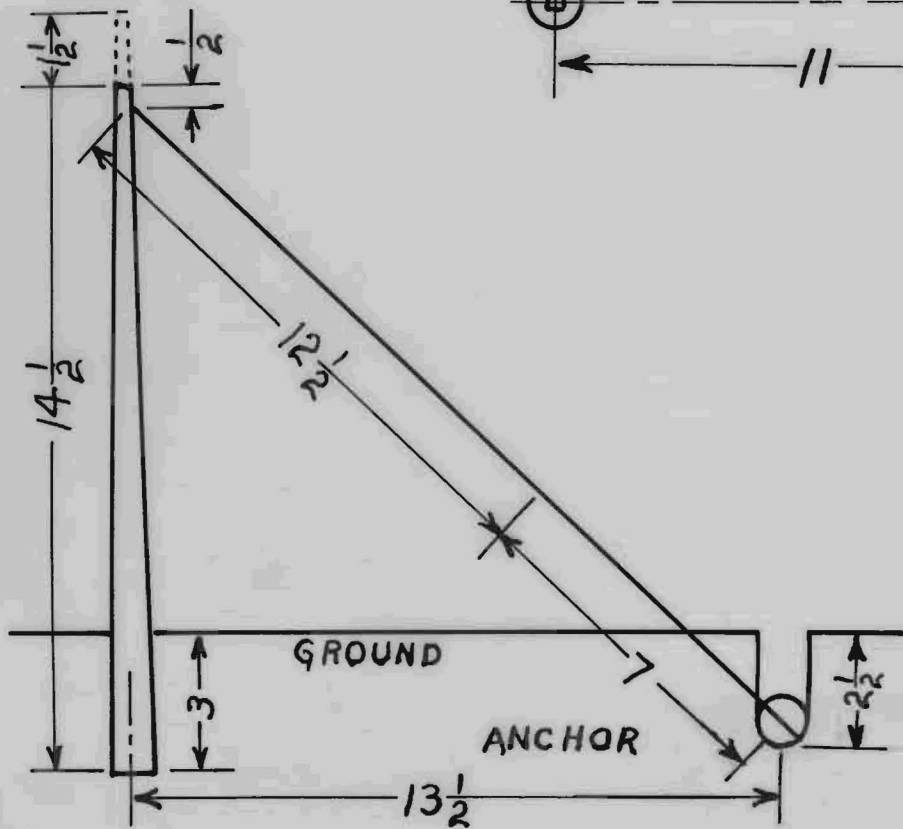
E/W POST



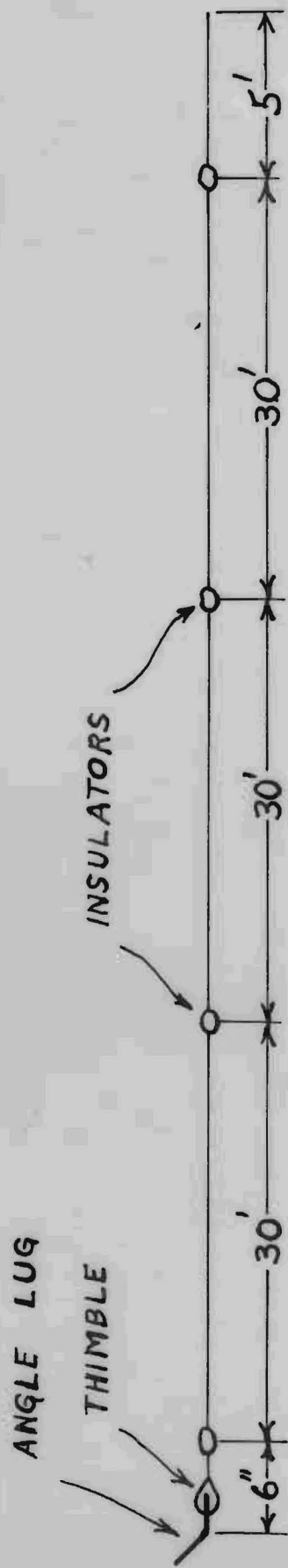
TRUSS

- 1" x 1" PEG
- ▭ 4" x 2" RED PEG
- POST C OR D

Scale: $\frac{1}{4}'' = 1'$



33 LONG STAYS



SHORT STAYS



ALLOW 9" WIRE FOR PROGRESSIVE WRAPPING AT ALL JOINTS