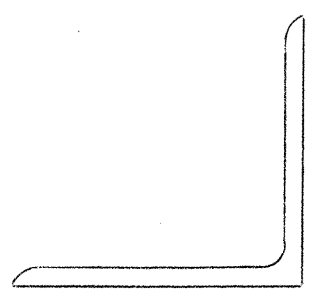
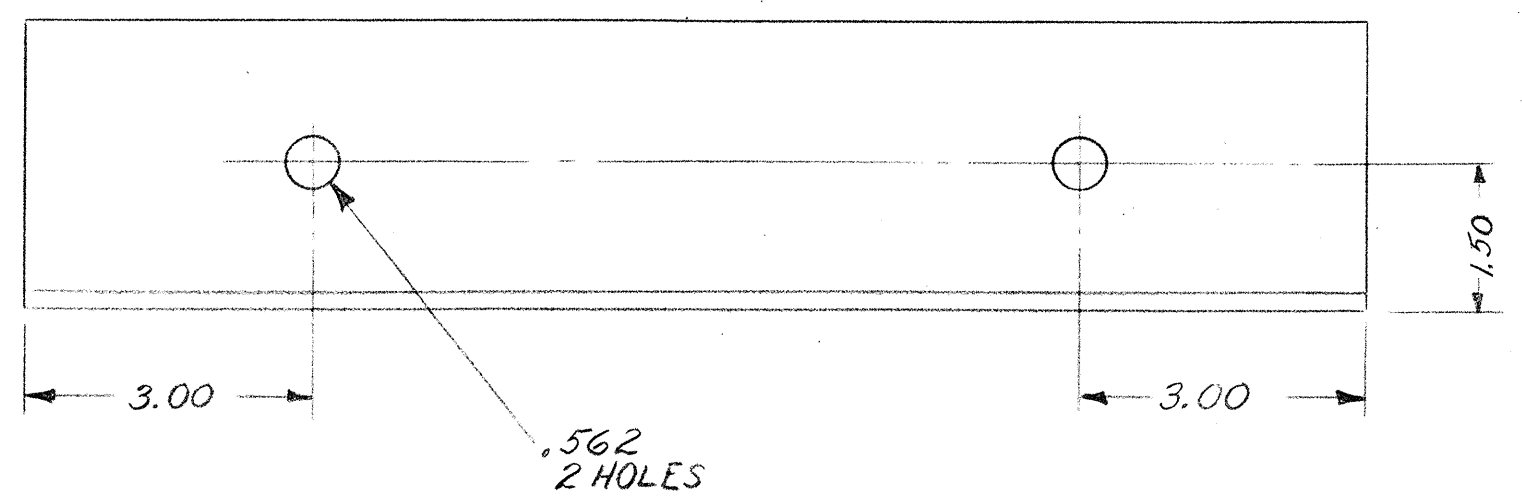
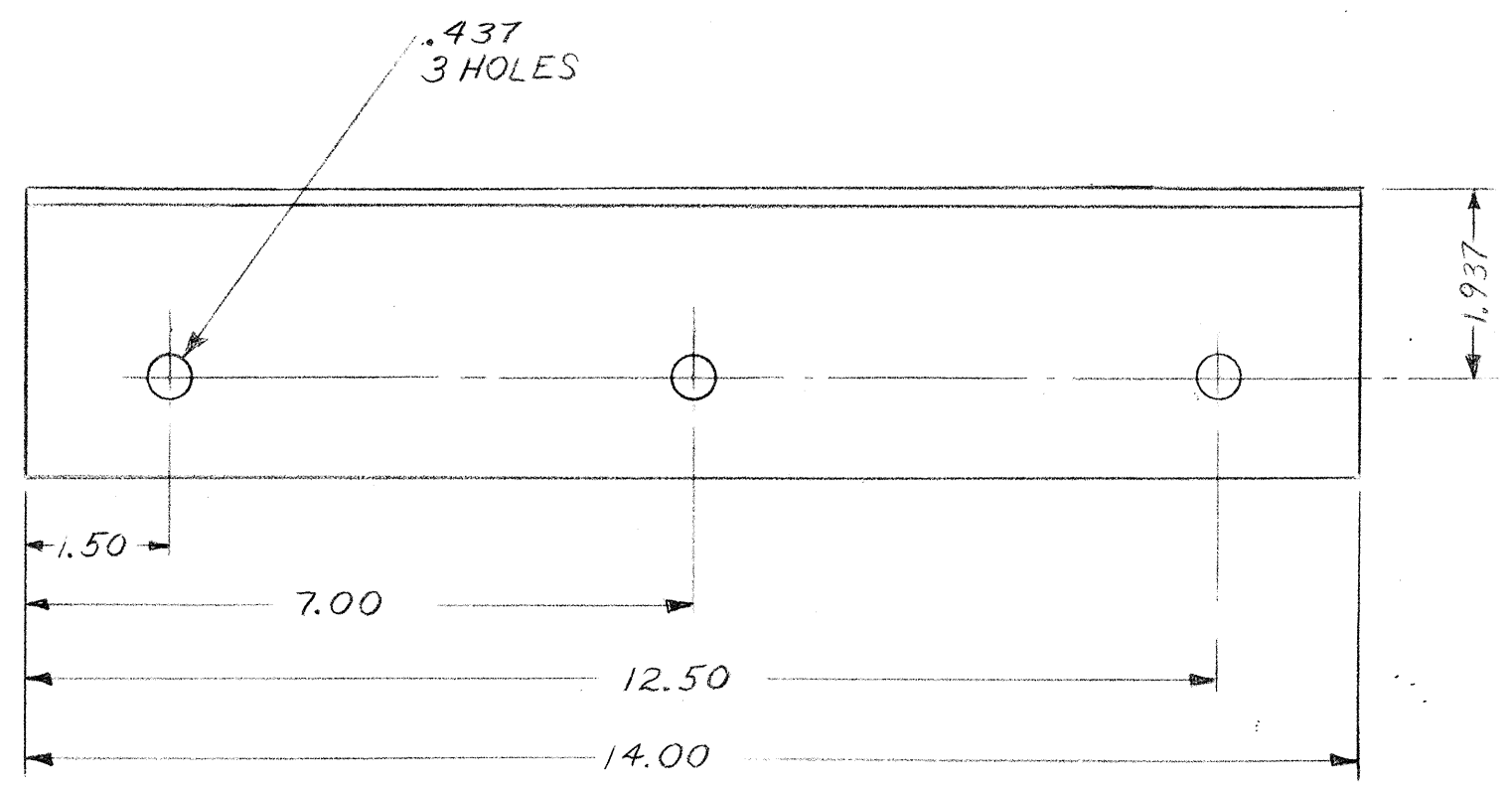


1 B-608251 ISSUE

P-
ENGR. A.C. BECK
DRAWN S.J. BENNETT
10-23-63 ISSUE 1



MATERIAL	FINISH
3x3x 3/16 STEEL ANGLE	

UNLESS OTHERWISE SPECIFIED, ALL DIMENSIONS ARE IN INCHES. NONLIMITED DIMENSIONS OTHER THAN SIZE OF RAW MATERIAL SHALL BE HELD AS FOLLOWS WHEN EXPRESSED:
 TO 2 DECIMAL PLACES ± .01 AS ANGLES ±
 TO 3 DECIMAL PLACES ± .003
 FOR GENERAL INFORMATION ON SYMBOLS AND NOTES REFER TO MANUFACTURING STANDARD 16.003, PART 2, SECTION 227.

DWG SIZE
2S

USED ON	DWG
ANGLE	
SCALE 1/2	
WESTERN ELECTRIC CO. INC. ENGINEER OF MANUFACTURE CENTRAL OFFICE EQUIPMENT	
BELL TELEPHONE LABORATORIES INCORPORATED	
C D S P-	B-608250

P-

10 1/4

15 5/8