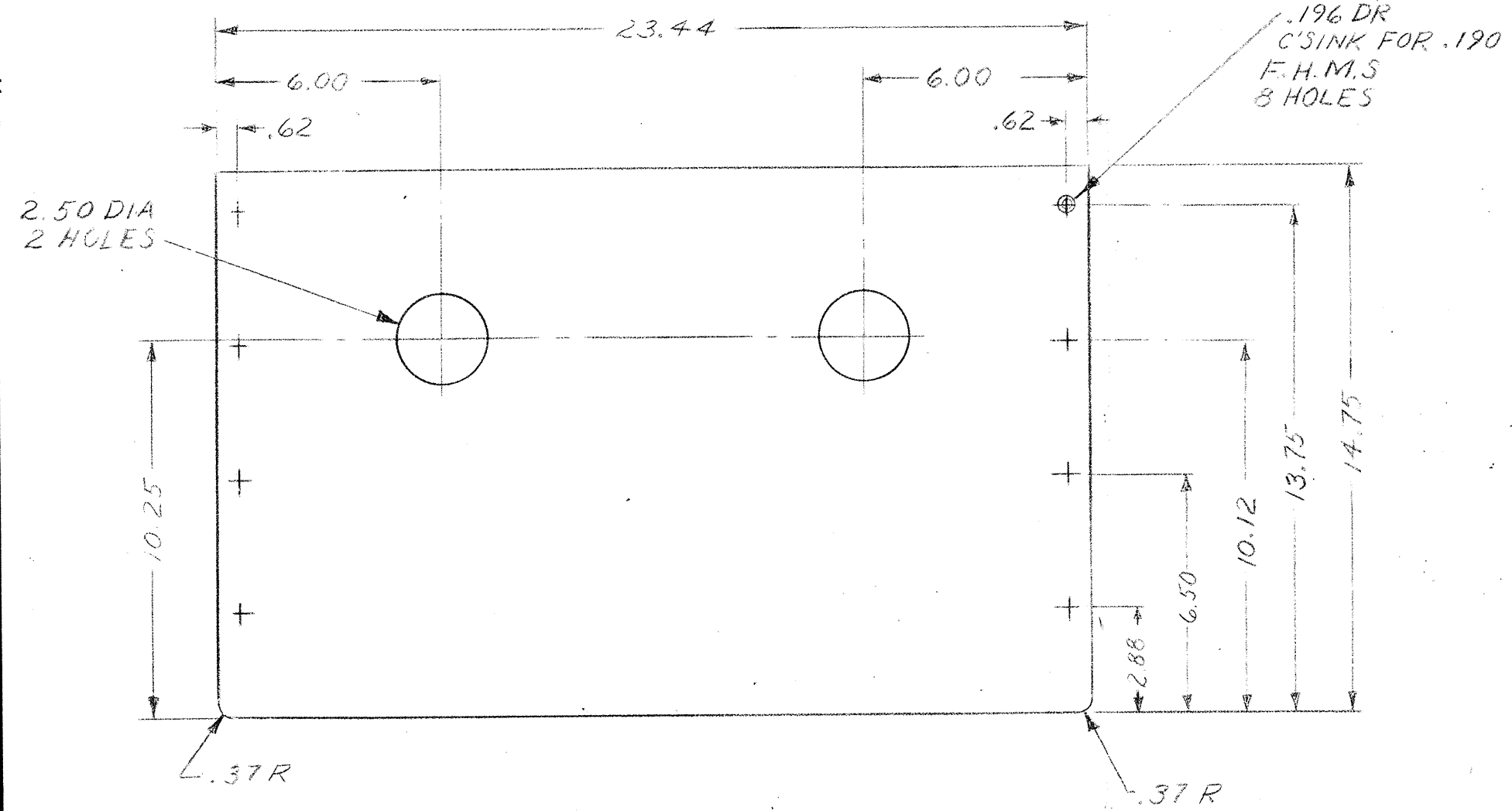


ISSUE 1 B-608256

P-

ENGR A.G. BECK	
DRAWN S.J. BENNETT	
11-15-63	ISSUE 1



USED ON	DWG
---------	-----

END MOTOR BOX

SCALE 1/4

WESTERN ELECTRIC CO. INC.
ENGINEER OF MANUFACTURE
CENTRAL OFFICE EQUIPMENT

BELL TELEPHONE
LABORATORIES
INCORPORATED

C	B-608256
D	
S	P-

MATERIAL	FINISH
3/4" PLYWOOD	

UNLESS OTHERWISE SPECIFIED, ALL DIMENSIONS ARE IN INCHES. NONLIMITED DIMENSIONS OTHER THAN SIZE OF RAW MATERIAL SHALL BE HELD AS FOLLOWS WHEN EXPRESSED:

TO 2 DECIMAL PLACES ± AS ANGLES ±

TO 3 DECIMAL PLACES ±

FOR GENERAL INFORMATION ON SYMBOLS AND NOTES REFER TO MANUFACTURING STANDARD 16.003, PART 2, SECTION 227.

DWG SIZE 2S

P-

10 1/4

15 5/8